

RF Expansion Module

for SPHEREA Test & Services ATEC® Series 6 ATE

COBHAM

Improving your operational efficiency with faster on-site test solutions.

Aeroflex is now a Cobham company



The RF Expansion Module (RFEM) is a new product specifically designed to support testing of airborne RF components on the ATEC® Series 6 ATE. Developed and manufactured by Aeroflex Test Solutions in partnership with SPHEREA Test & Services, the RFEM provides a convenient platform that is compatible with new and existing ATEC® Series 6 ATE systems.

A library of TPS solutions has been developed by Aeroflex that will test the full range of navigation, communication, TCAS, transponder, and other RF systems. The product strategy has full OEM support and CMM listing.

The RF instrumentation package includes PXI format synthetic instrument modules and the Aeroflex NextGen bench test equipment.

The PXI instruments offer very high performance signal generation and analysis in a compact size, permitting greater resource density in the RFEM tower. For Transponder, DME, TCAS and MMR testing, Aeroflex's ATC-5000NG NextGen ATC/DME Test Set, RGS-2000NG NextGen TCAS Test Set and ATE-GNSS GPS/Galileo 12CH Simulator (PXI) were selected and integrated into the RFEM making it fully NextGen capable and ready to perform testing required by the modernization of Global Air Traffic Management transformations led by FAA's NextGen and Europe's SESAR, and soon to be followed by other countries.

Key Customer Advantages

- Aeroflex designed RF test system, fully integrated into the ATEC® Series 6
- Simple Ethernet interface between RFEM and ATEC® Series 6, permits easy retrofit to existing ATE installations
- Powerful test executive interface offers many advantages to the test operator
- Global service and support provided jointly by SPHEREA Test & Services and Aeroflex
- Extensive CMM-listed TPS library developed to test Nav, Comm, TCAS, Transponder, GPS, and other RF systems
- Complete RFEM and TPS information can be consulted on the SPHEREA Customer Support and Services MyATE Internet web site
- Our objective is to offer test coverage of RF products from all major OEMs

In partnership with





ATC-5000NG NextGen ATC/DME Test Set

RGS-2000NG NextGen TCAS Test Set

RF Interface

PXI Instruments

Aeroflex RF Expansion Module

User Interface

Display and controls are provided via the ATEC® Series 6 operator console PC. The Test Unit Adapters (TUAs) for individual RF units, designed and manufactured by Aeroflex, mount to the ARINC 608A matrix switch on the ATEC® Series 6 tower. A TUA cable transfers all RF signals between the TUA and test resources via an RF expansion interface in the RFEM. The interface panel has been designed to accommodate significant future growth. Visual, guided operator instructions for each RF unit are presented in each test program.

Options and Accessories

Each Test Unit Adapter kit is supplied complete with software, adapter hardware, interface cable and self-test adapter.

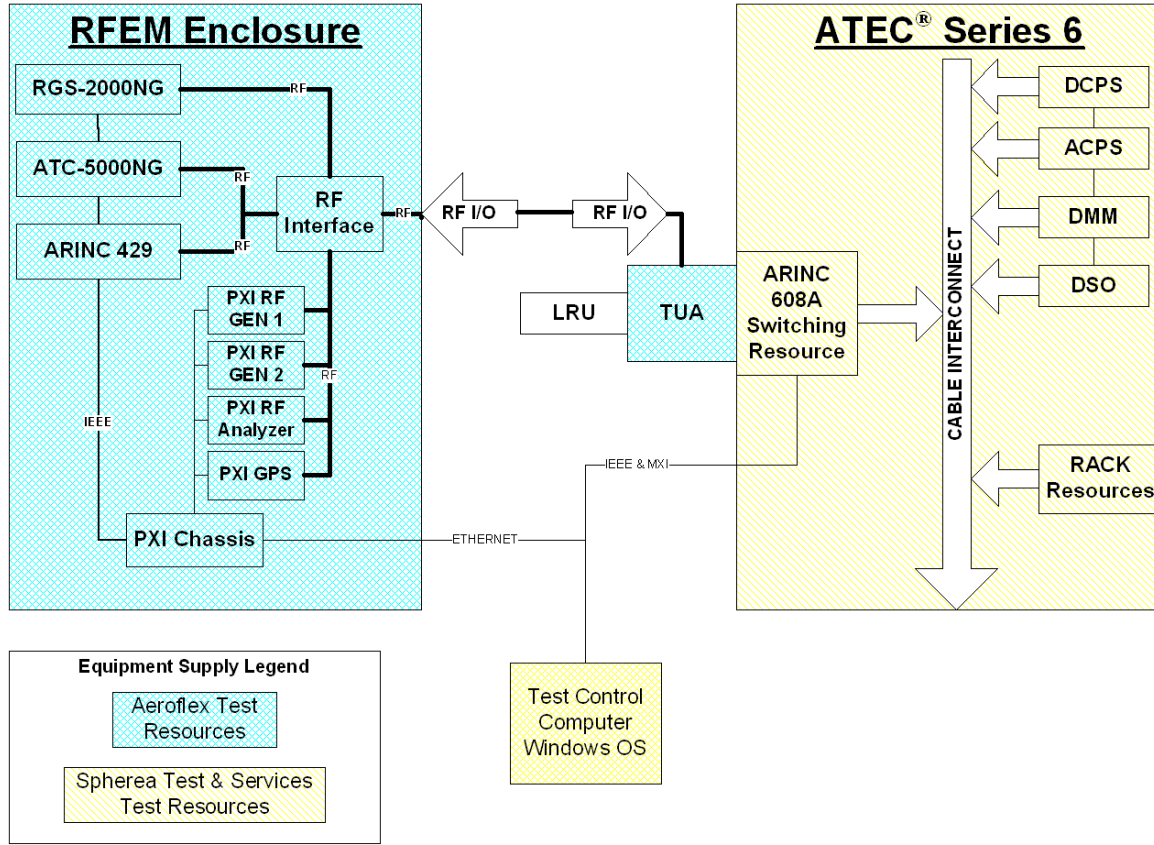
Current TPS Library

Function	LRU Model	Airframes	LRU P/N*	TPS Run Time est.
Radio Altimeter	ALA-52B	707, 717, 727, 737CL, 737NG, 747, 757, 767, 777, 787, A300/310/320/330/340, DC9/10, MD11/80/90, Military	Honeywell P/N 066-50007-xx	30 min
DME	DMA-37B	707, 717, 727, 737CL, 737NG, 747, 757, 767, 777, 787, A300/310/320/330/340, DC9/10, MD11/80/90, Military	Honeywell P/N 066-50013-xx	60 min
ADF	DFA-75B	707, 717, 727, 737CL, 737NG, 747, 757, 767, 777, 787, A300/310/320/330/340, DC9/10, MD11/80/90, Military	Honeywell P/N 066-50014-xx	30 min
Navigation Receiver	INR	787, all air transport types	Honeywell P/N 940-2001-xx	120 min
VHF COMM/DATA	RTA-44D	707, 717, 727, 737CL, 737NG, 747, 757, 767, 777, 787, A300/310/320/330/340, DC9/10, MD11/80/90, Military	Honeywell P/N 064-50000-xx	120 min
VOR	RVA-36B	707, 717, 727, 737CL, 737NG, 747, 757, 767, 777, 787, A300/310/320/330/340, DC9/10, MD11/80/90, Military	Honeywell P/N 066-50012-xx	30 min
Mode S Transponder	TRA-67A	707, 717, 727, 737CL, 737NG, 747, 757, 767, 777, A300/310/320/330/340, DC9/10, MD11/80/90, Military	Honeywell P/N 066-01127-xx	60 min
Mode-S Transponder	MST-67A	Regional and Business Aviation	Honeywell P/N 066-01143-xx	25 min
TCAS	TPA-81A	707, 717, 727, 737CL, 737NG, 747, 757, 767, 777, 787, A300/310/320/330/340, DC9/10, MD11/80/90, Military	Honeywell P/N 066-50000-xx	150 min
Weather Radar	RDR-4000	777, 737, A320/330/340	Honeywell P/N 930-100x-xx P/N 930-2000-xx	120 min
TCAS	TPA-100A TPA-100B	707, 717, 727, 737CL, 737NG, 747, 757, 767, 777, 787, A300/310/320/330/340, DC9/10, MD11/80/90, Military	Honeywell P/N 940-0300-xx P/N 940-0400-xx P/N 940-0351-xx P/N 940-0451-xx	150 min
Environment Surveillance	AESS	A350/380/400M	Honeywell P/N 965-1694-xx P/N 930-2000-xx	180 min
Multi-Mode Receiver	RMA-55B	767-200/300 A320	Honeywell P/N 066-50029-0101 P/N 066-50029-1101 P/N 066-50029-1151 P/N 066-50029-1161 P/N 066-50029-1201	TBD

Completed

In Development

* Please consult factory for detailed information on LRU and P/N coverage.



ATEC® Series 6 – RFEM System Interface Design

Aeroflex is now a Cobham company

In partnership with



For further information please contact:

SPHEREA Test & Services
 Tel: +33 (0) 5 34 55 41 74
 Email: sales.ts@sphera.com
 www.sphera.com

Cobham AvComm
 Tel: (316) 522-4981
 Fax: (316) 522-1360
 Email: AvComm.TechSales@aeroflex.com
 www.cobham.com/avcomm